

600V High and Low Side Driver

PRODUCT SUMMARY

- V_{OFFSET} 600 V max.
- $I_{\text{O+/-}}$ 2.5 A / 3 A
- V_{OUT} 7 V - 20 V
- $t_{\text{on/off (typ.)}}$ 170ns / 170ns

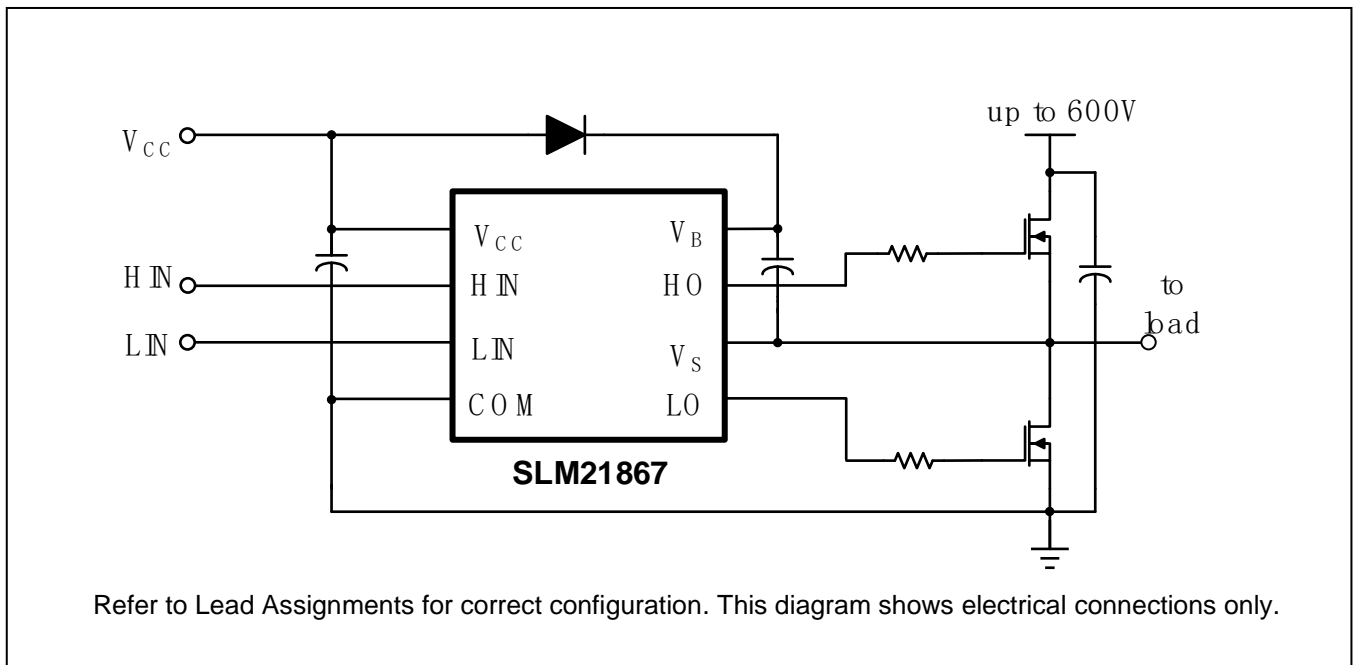
GENERAL DESCRIPTION

The SLM21867 is a high voltage, high speed power MOSFET and IGBT drivers with independent high- and low-side referenced output channels. Proprietary HVIC and latch immune CMOS technologies enable ruggedized monolithic construction. The logic input is compatible with standard CMOS or LSTTL output, down to 3.3 V logic. The output drivers feature a high pulse current buffer stage designed for minimum driver cross conduction. Propagation delays are matched to simplify use in high frequency applications. The floating channel can be used to drive an N-channel power MOSFET or IGBT in the high-side configuration which operates up to 600 V.

FEATURES

- Floating channel designed for bootstrap operation
- Fully operational to +600 V
- Low V_{CC} operation
- Tolerant to negative transient voltage, dV/dt immune
- Gate drive supply range from 7 V to 20 V
- Undervoltage lockout for both channels
- 3.3 V, and 5 V logic compatible
- CMOS Schmitt-triggered inputs with pull-down
- Matched propagation delay for both channels
- Outputs in phase with inputs
- RoHS compliant
- SOP8 package

TYPICAL APPLICATION CIRCUIT



PIN CONFIGURATION

Package	Pin Configuration (Top View)
SOP8	

PIN DESCRIPTION

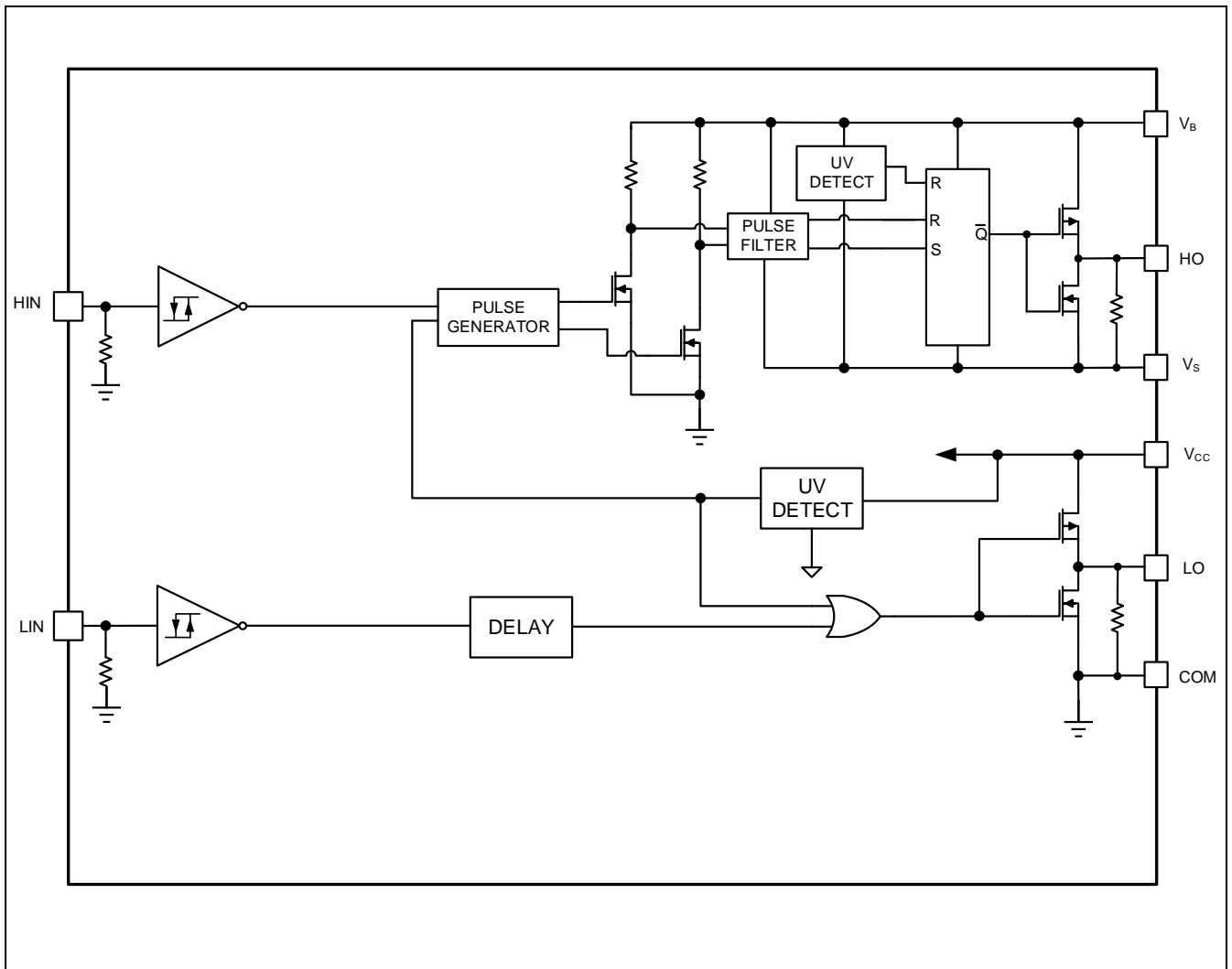
No.	Pin	Description
1	V _{CC}	Low-side and logic fixed supply
2	HIN	Logic input for high-side gate driver output (HO), in phase
3	LIN	Logic input for low-side gate driver output (LO), in phase
4	COM	Low-side return
5	LO	Low-side gate drive output
6	V _S	High-side floating supply return
7	HO	High-side gate drive output
8	V _B	High-side floating supply

ORDERING INFORMATION

Industrial Range: -40°C to +125°C

Order Part No.	Package	QTY
SLM21867CA-DG	SOP8, Pb-Free	2500/Reel

FUNCTIONAL BLOCK DIAGRAM



ABSOLUTE MAXIMUM RATINGS

Symbol	Definition	Min.	Max.	Units
V _B	High-side floating absolute voltage	-0.3	625	V
V _S	High-side floating supply offset voltage	V _B - 25	V _B + 0.3	
V _{HO}	High-side floating output voltage	V _S - 0.3	V _B + 0.3	
V _{CC}	Low-side and logic fixed supply voltage	-0.3	25	
V _{LO}	Low-side output voltage	-0.3	V _{CC} + 0.3	
V _{IN}	Logic input voltage (HIN & LIN)	-0.3	V _{CC} + 0.3	
dV _S /dt	Allowable offset supply voltage transient	---	50	V/ns
P _D	Package power dissipation @ T _A ≤ +25°C	---	0.625	W
θ _{JA}	Thermal resistance, junction to ambient	---	200	°C/W
T _J	Junction temperature	---	150	°C
T _S	Storage temperature	-55	150	
T _L	Lead temperature (soldering, 10 seconds)	---	300	

Note: Absolute maximum ratings indicate sustained limits beyond which damage to the device may occur. All voltage parameters are absolute voltages referenced to COM. The thermal resistance and power dissipation ratings are measured under board mounted and still air conditions.

RECOMMENDED OPERATION CONDITIONS

Symbol	Definition	Min.	Max.	Units
V _B	High-side floating absolute voltage	V _S + 7	V _S + 20	V
V _S	High-side floating supply offset voltage	Note 1	600	
V _{HO}	High-side floating output voltage	V _S	V _B	
V _{CC}	Low-side and logic fixed supply voltage	7	20	
V _{LO}	Low-side output voltage	0	V _{CC}	
V _{IN}	Logic input voltage (HIN & LIN)	COM	V _{CC}	
T _A	Ambient temperature	- 40	125	°C

Note1: The input/output logic timing diagram is shown in Figure 1. For proper operation the device should be used within the recommended conditions. The V_S offset rating is tested with all supplies biased at a 15 V differential.

DYNAMIC ELECTRICAL CHARACTERISTICS

V_{BIAS} (V_{CC} , V_{BS}) = 15 V, C_L = 1000 pF and T_A = 25°C unless otherwise specified.

Symbol	Parameter	Condition	Min.	Typ.	Max.	Unit
t_{on}	Turn-on propagation delay	$V_S = 0$ V	---	170	250	ns
t_{off}	Turn-off propagation delay	$V_S = 0$ V	---	170	250	
t_r	Turn-on rise time		---	8	16	
t_f	Turn-off fall time		---	5	10	
MT	Delay matching, HS & LS turn-on/off		---	---	35	

STATIC ELECTRICAL CHARACTERISTICS

V_{BIAS} (V_{CC} , V_{BS}) = 15 V and T_A = 25°C unless otherwise specified. The V_{IN} , V_{TH} , and I_{IN} parameters are referenced to COM and are applicable to all logic input leads: HIN and LIN. The V_O and I_O parameters are referenced to COM and are applicable to the respective output leads: HO or LO.

Symbol	Parameter	Condition	Min.	Typ.	Max.	Unit
V_{IH}	Logic "1" input voltage	$V_{CC} = 7$ V to 20V	2.5	---	---	V
V_{IL}	Logic "0" input voltage		---	---	0.8	
V_{OH}	High level output voltage, $V_{BIAS} - V_O$	$I_O = 20$ mA	---	0.08	0.2	
V_{OL}	Low level output voltage, V_O		---	0.07	0.15	
I_{LK}	Offset supply leakage current	$V_B = V_S = 600$ V	---	---	50	μ A
I_{QBS}	Quiescent V_{BS} supply current	$V_{IN} = 0$ V	20	60	100	
I_{QCC}	Quiescent V_{CC} supply current		200	290	400	
I_{IN+}	Logic "1" input bias current	HIN=LIN = 5V	---	30	70	
I_{IN-}	Logic "0" input bias current	HIN=LIN= 0V	---	---	5	
V_{BSUV+}	V_{BS} supply undervoltage positive going threshold		5.65	6.25	6.85	V
V_{BSUV-}	V_{BS} supply undervoltage negative going threshold		5.15	5.75	6.35	
V_{CCUV+}	V_{CC} supply undervoltage positive going threshold		5.65	6.25	6.85	V
V_{CCUV-}	V_{CC} supply undervoltage negative going threshold		5.15	5.75	6.35	
I_{O+}	Output high short circuit pulsed current	$V_O = 0$ V, $V_{IN} =$ Logic "1", $PW \leq 10$ μ s	1.5	2.5		A
I_{O-}	Output low short circuit pulsed current	$V_O = 15$ V, $V_{IN} =$ Logic "0", $PW \leq 10$ μ s	2.0	3.0		

SWITCHING AND TIMING RELATIONSHIPS

The relationships between the input and output signals of the SLM21867 are illustrated below in Figure 1, Figure 2. These figures show the definitions of several timing parameters (i.e., t_{on} , t_{off} , t_r , and t_f) associated with this device.

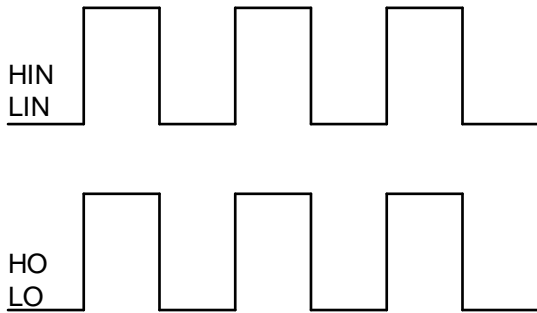


Figure 1. Input/Output Timing Diagram

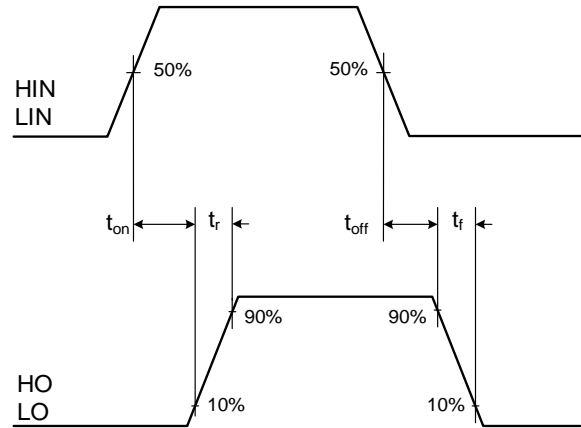


Figure 2. Switching Time Waveform

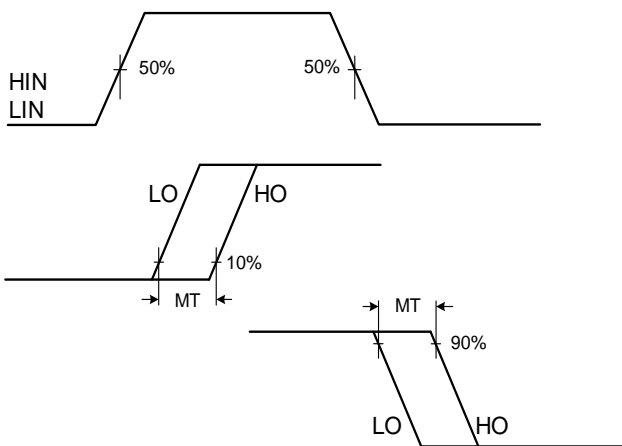


Figure 3. Delay Matching Waveform

PACKAGE CASE OUTLINES

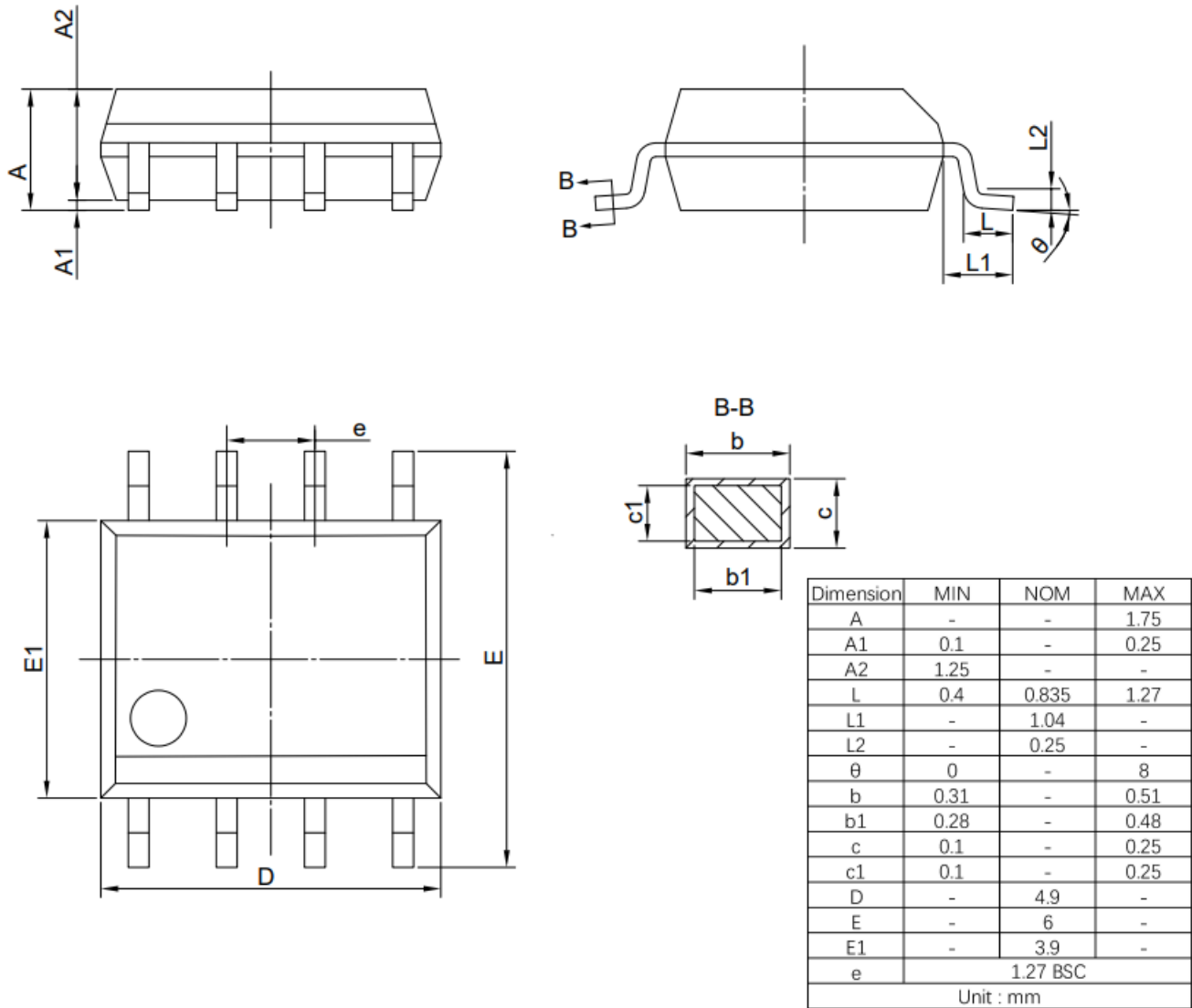


Figure 4. SOP8 Outline Dimensions

REVISION HISTORY

Note: page numbers for previous revisions may differ from page numbers in current version

Page or Item	Subjects (major changes since previous revision)
Rev 0.1 datasheet, 2019-9-1	
Whole document	Draft datasheet released
Rev 0.2 datasheet, 2020-1-14	
Page 2	Change order information
Page 7	Add part marking information
Rev 1.0 datasheet, 2021-7-20	
Whole datasheet	Update the Logo
Page 2	Removed the order part No. SLM21867CA-TG in the ordering information
Page 3	Updated the Functional Block Diagram
Page 4	Remove the PDIP-8 package information. Updated the Vcc min voltage from 10V to 7V in the Recommended Operation Conditions.
Page 5	Updated the t_r and t_f value in the Dynamic Electrical Characteristics. Update the V_{OH} , V_{OL} , I_{QBS} , I_{IN+} , I_{O+} and I_{O-} value in the Static Electrical Characteristics.
Rev 1.1 datasheet, 2022-7-26	
Page 7	Change the package name from SOIC-8 to SOP8 and update the package case outlines